

H&S

INDUSTRIAL

“WIDE BODY” POWER BOX

Truck Mount

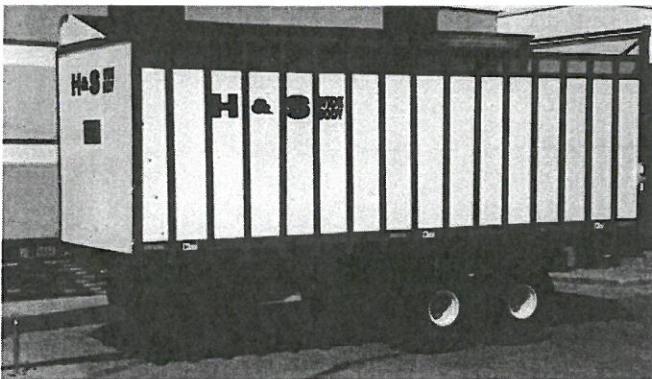


WARNING

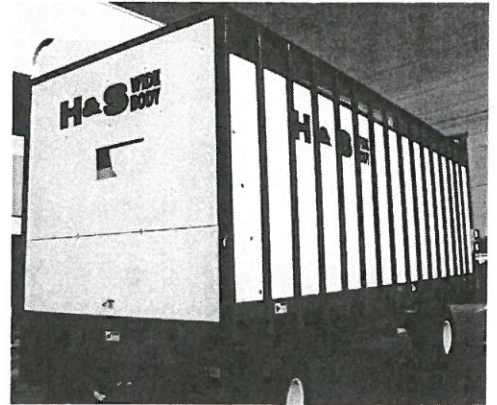
READ AND UNDERSTAND THIS MANUAL BEFORE OPERATING THIS EQUIPMENT.

UNSAFE OPERATION OR MAINTENANCE OF THIS EQUIPMENT CAN RESULT IN SERIOUS INJURY OR DEATH.

Chassis



Running Gear



OPERATOR'S MANUAL AND PARTS LIST

4-1-11

Manufactured By
H&S MANUFACTURING CO., INC.

P.O. BOX 768 • (715) 387-3414 FAX (715) 384-5463
MARSHFIELD, WISCONSIN 54449

H&S INDUSTRIAL “WIDE BODY” POWER BOX REAR UNLOAD

CONTENTS

Warranty & Warranty Registration Card	1-2
Dealer Pre-Delivery & Delivery Checklist	3-4
Be Alert Symbol.	5
Explanation of Safety Signs	6
Warning - Danger Decals	7
Warning - Owner Must Read and Understand	8
Before Operation - Adjustments	9-10
Lubrication Guide	11
Field Operation - Door Latches	12
Decal Location & Identification	13-14
Ordering Parts - About Improvements	14
Figure 1 - Light Assembly - Wiring Code - Description	15
Figure 2 - Rear Door - Apron Drive and Idler Assembly - Description	16-17
Figure 3 - Box Assembly - Description	18-19
Figure 4 - Chassis Components - Description	20-21
Figure 5 - Tie-Down Kit - Running Gear Model	22
Figure 6 - Barn Door 2-1/2" x 8" Air Cylinder	23
Figure 7 - Wide Body Barn Doors	24-25
Figure 8 - Wide Body Gate Delay	26-27
Figure 9 - Gate Delay 3-1/4" x 6" Air Cylinder	28
Service Notes	29
Figure 10 - Hydraulic Gate Delay	30-31
Service Notes	32
SPECIFICATIONS	INSIDE BACK COVER

WARRANTY

Mr. Owner: Before Operating—Read and Understand Operating and Safety Instructions

H&S Manufacturing Co., Inc. truly believes you have made a wise choice and a sound and lasting investment. Many years of development have made available these quality machines to assure you the performance and reliability you need. **We ask you to read the following agreement and warranty as this unit is subject to this warranty and agreement and no other.**

H&S MANUFACTURING CO., INC. WARRANTY

H&S Manufacturing Co., Inc. ("H&S") warrants this product to be free from defect in material and workmanship. Except as noted below, this warranty term is twelve (12) months from the date of delivery of the product to the original purchaser by an authorized H&S dealer. Under this warranty, H&S will repair or replace, at its option, any covered part which is found to be defective in material or workmanship during the applicable warranty term. In no case will the covered repair cost of a part or parts exceed the replacement cost of that part. Warranty service must be performed by H&S or a dealer authorized by H&S to sell and/or service the product involved, which will use only new or remanufactured parts or components furnished by H&S. This warranty includes approved parts and labor to fix the product but does not include, and the purchaser is responsible for, any service call and/or transportation of the product to and from the dealer's place of business, for any premium charged for over-time labor requested by the purchaser, and for any service work not directly related to any defect covered under this warranty. This warranty includes only those components of the product manufactured by H&S. Warranty for any component not manufactured by H&S including, but not limited to, engines, batteries, tires, rims, hydraulic motors, pumps, etc., are covered by the warranty, if any, provided separately by their respective manufacturers.

This warranty in all its parts, is extended solely to the original purchaser of the product, is terminated upon any subsequent transfer or sale from or by the original purchaser and extends no third party benefits or rights whatsoever.

The warranty term for any product used in any commercial, custom for hire or rental application, is limited to six (6) months from the date of delivery of the product to the original purchaser by an authorized H&S dealer.

Polybonded (polyethylene and plywood) panels utilized in H&S Manure Spreaders are warranted, to the original purchaser, to not wear through and the polyethylene overlay to not tear free of the plywood for the functional life to the spreader. This specific warranty on polybonded panels includes only replacement of any defective panel part without any allowance for labor beyond the terms of the general warranty (12 or 6 months), and is further limited to manure spreaders used to spread normal agricultural manure.

This warranty does not include: (1) Any product that has been altered or modified in ways not approved by H&S; (2) Depreciation or damage caused by normal wear, misuse, improper or insufficient maintenance, improper operation, accident or failure to follow the product Operator Manual recommendations and product decal recommendations; (3) Normal maintenance parts and service; (4) Repairs made with parts other than those available from H&S or performed by anyone other than H&S or a dealer authorized by H&S to sell and/or service the product involved.

To secure warranty service the purchaser must report the product defect to a dealer authorized by H&S to sell and/or service the product involved within the applicable warranty term together with evidence of the warranty start date and make the product available to that dealer within a reasonable period of time.

THERE ARE NO WARRANTIES WHICH EXTEND BEYOND THE DESCRIPTION ON THE FACE OF THIS WARRANTY. H&S and the companies affiliated with it makes no warranties, representations, or promises, express or implied, as to the quality or performance or freedom from defect of its products other than those set forth above and **NO IMPLIED WARRANTY OF MERCHANTABILITY, FITNESS OR FITNESS FOR A PARTICULAR PURPOSE IS MADE. IN NO EVENT WILL THE DEALER, H&S OR ANY COMPANY AFFILIATED WITH H&S BE LIABLE FOR INCIDENTAL OR CONSEQUENTIAL DAMAGES.** The **ONLY REMEDY** the purchaser has in connection with the breach of performance of any warranty on H&S products are those set forth above.

The selling dealer has no authority to make any representation or promise on behalf of H&S, or to modify the terms or limitations of this warranty in any way.

2/16/2004

WARRANTY REGISTRATION

Date of Purchase _____

Purchaser _____ Address _____

City _____ State _____ Zip _____

Product _____ Model # _____ Serial # _____

Dealer _____ Address _____

City _____ State _____ Zip _____

Signature of original buyer

**FILL OUT AND MAIL
IMMEDIATELY TO MAKE
WARRANTY EFFECTIVE**



IMPORTANT!

Tear on dotted line, provide the information requested on the card. The H&S Warranty is valid **“only”** after this card is received and recorded at H&S Mfg. Co. Mail at once. No postage required in the U.S.A.

This Is Your Warranty Card
Please Fill Out
And Mail Immediately



NO POSTAGE
NECESSARY
IF MAILED
IN THE
UNITED STATES

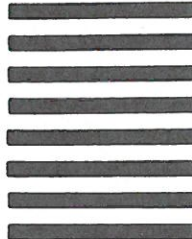
BUSINESS REPLY MAIL

FIRST CLASS MAIL Permit No. 195 Marshfield, WI 54449

POSTAGE WILL BE PAID BY ADDRESSEE

H&S Manufacturing Co., Inc.

PO Box 768
Marshfield WI 54449-9963



AFTER COMPLETION, DEALER SHOULD REMOVE AND RETAIN FOR RECORDS

**H&S
DEALER PRE-DELIVERY CHECK LIST**

After the Power Box has been completely set-up, check to be certain it is in correct running order before delivering to the customer. The following is a list of points to inspect. Check off each item as you have made the proper adjustments and found the item operating satisfactorily.

- All Shields and Guards are in place and fastened.
- All Grease Fittings have been lubricated.
See lubrication guide in this manual.
- All Mechanisms are operating trouble free.
- All Roller Chains are at proper tension.
- Apron Chains are adjusted properly.
- All Bolts and Fasteners are tight.
- All Decals are in place and legible.

_____	_____
(Dealer's Name)	Model Number
_____	_____
	Serial Number
_____	_____
(Signature of Pre-Delivery Inspector)	(Inspection Date)

DEALER DELIVERY CHECK LIST

This check list that follows is an important reminder of valuable information that should be passed on to the customer at the time this Power Box is delivered.

Check off each item as you explain it to the customer.

This pre-delivery check list, when properly filled out and signed assures the customer that the pre-delivery service was satisfactorily performed.

- Explain to the customer that the pre-delivery inspection was made.
- Explain to the customer all the safety precautions they must exercise when operating this unit.
- Explain recommended loads for different types of materials.
- Explain to customer that regular lubrication is required for proper operation and long life of machine. Show customer the lubrication section of Owner's Manual.
- Give the customer Owner's Manual and make sure he reads and understands all operating and service instructions.
- Record Serial Number on Page 14 of this Manual.
- Have customer sign a completed "Warranty Registration," and mail it promptly.

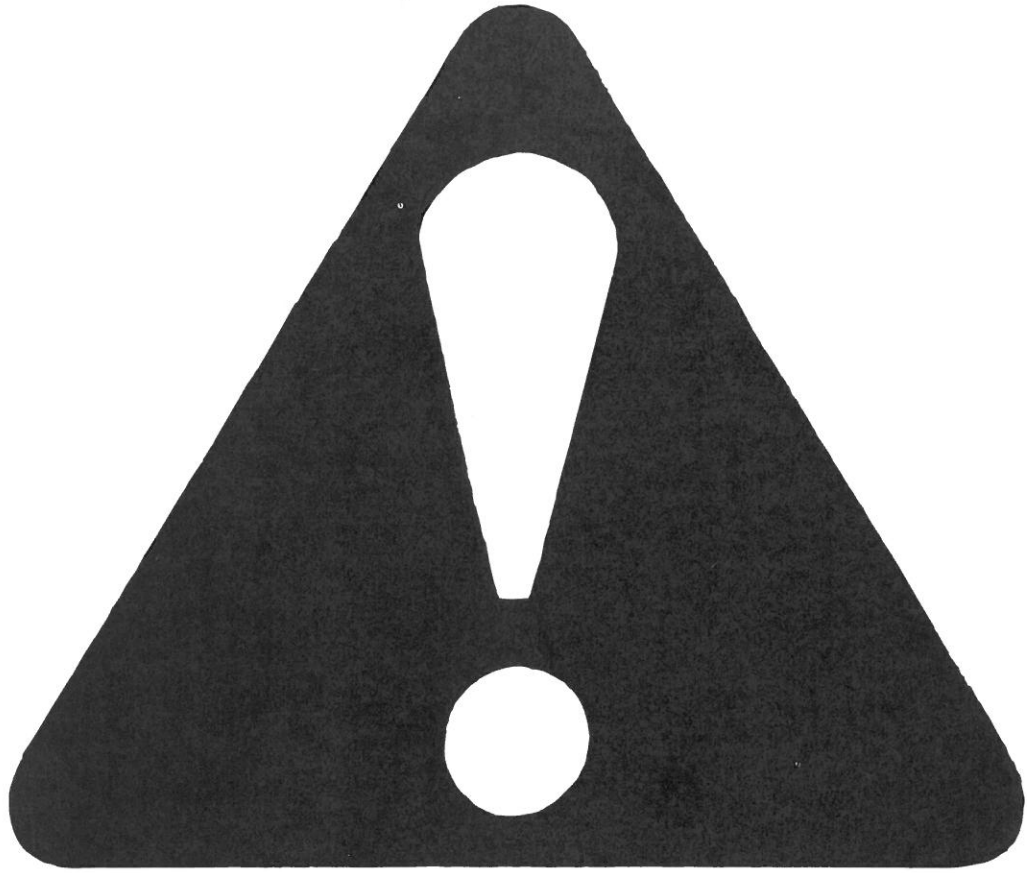
Date Delivered _____ Dealer's Name _____

By _____

Signature of Original Buyer

Note: Warranty is not valid until warranty card is completed and returned to H&S Mfg. Co., Inc.

(Remove Dealers File Copy At Perforation)



**BE
ALERT!** **YOUR SAFETY
IS INVOLVED.**

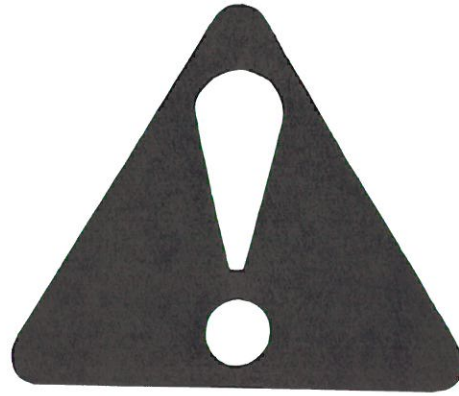
THIS SYMBOL IS USED THROUGHOUT THIS BOOK WHENEVER YOUR PERSONAL SAFETY IS INVOLVED. TAKE TIME TO BE CAREFUL. REMEMBER: THE CAREFUL OPERATOR IS THE BEST OPERATOR. MOST ACCIDENTS ARE CAUSED BY HUMAN ERROR. CERTAIN PRECAUTIONS MUST BE OBSERVED TO PREVENT THE POSSIBILITY OF INJURY OR DAMAGE.

H&S MANUFACTURING CO. INC.

RECOGNIZE SAFETY INFORMATION

This is the safety-alert symbol. When you see this symbol on your machine or in this manual, be alert to the potential for personal injury.

Follow recommended precautions and safe operating practices.



UNDERSTAND SIGNAL WORDS

A signal word—DANGER, WARNING, or CAUTION—is used with the safety-alert symbol. DANGER identifies the most serious hazards.

Safety signs with signal word DANGER or WARNING are typically near specific hazards.

General precautions are listed on CAUTION safety signs.



FOLLOW SAFETY INSTRUCTIONS

Carefully read all safety messages in this manual, and all safety signs on your machine. Follow all recommended precautions and safe operating procedures.

Keep signs in good condition. Immediately replace any missing or damaged signs.

	<p>! WARNING</p>
	<p>DO NOT OPERATE THIS EQUIPMENT IF THIS DECAL IS EXPOSED. REPLACE SAFETY SHIELDS.</p>

1494A

	<p>! WARNING</p>
	<p>DO NOT GO NEAR LEAKS</p> <ul style="list-style-type: none"> • High pressure oil easily punctures skin causing serious injury, gangrene or death. • If injured, seek emergency medical help. Immediate surgery is required to remove oil. • Do not use finger or skin to check for leaks. • Lower load or relieve hydraulic pressure before loosening fittings.

11599

	<p>! WARNING</p>
	<p>DO NOT REMOVE SHIELDS MOVING PARTS INSIDE</p>

1494B

	<p>! WARNING</p>
	<p>STAY CLEAR MOVING PARTS UNDER THIS AREA</p>

1494C

<p>! WARNING!</p>

<p>KEEP CHILDREN AWAY AT ALL TIMES!</p>

2495

H&S REAR UNLOAD “WIDE BODY” POWER BOX



WARNING

TO PREVENT SERIOUS INJURY OR DEATH

BEFORE YOU ATTEMPT TO OPERATE THIS EQUIPMENT, READ AND STUDY THE FOLLOWING INFORMATION. IN ADDITION, MAKE SURE THAT EVERY INDIVIDUAL WHO OPERATES OR WORKS WITH THIS EQUIPMENT, WHETHER FAMILY MEMBER OR EMPLOYEE, IS FAMILIAR WITH THESE SAFETY PRECAUTIONS.

KNOW HOW TO STOP UNLOADING MECHANISM BEFORE STARTING IT.

If the machine becomes clogged, disengage truck or tractor hydraulics, stop the truck or tractor engine, and allow all mechanisms to stop before cleaning or working on the machine.

DO NOT attempt to perform maintenance or repair with truck or tractor running and hydraulics hooked to the power source.

DO NOT step up on machine at any time.

DO NOT get off the tractor when box is in operation. Operator position is in the tractor seat. (Running Gear, Chassis Mount). **DO NOT** leave truck cab when box is in operation. (Truck Mount).

DO NOT ALLOW PERSONNEL OTHER THAN THE QUALIFIED OPERATOR NEAR THE MACHINE.

DO NOT allow minors to operate or be near the machine.

STAY CLEAR of rear of Power Box at all times.

DO NOT clean, adjust, or lubricate the machine when any part is in operation.

BE SURE the machine is clear of people, tools, and other objects before engaging hydraulics.

NEVER start power box until all guards and safety shields are secured in place.

STAY CLEAR of hydraulic lines, they may be under extreme pressure or heat.

Loose or floppy clothing should not be worn by the operator.

CAUTION – BEWARE OF LOW ELECTRICAL WIRES.

H&S Mfg. Co. always takes the operator and his safety into consideration and guards exposed moving parts for his protection. However, some areas cannot be guarded or shielded in order to assure proper operation. In addition, the operators manual and decals on the machine itself warn you of further danger and should be read and observed closely.

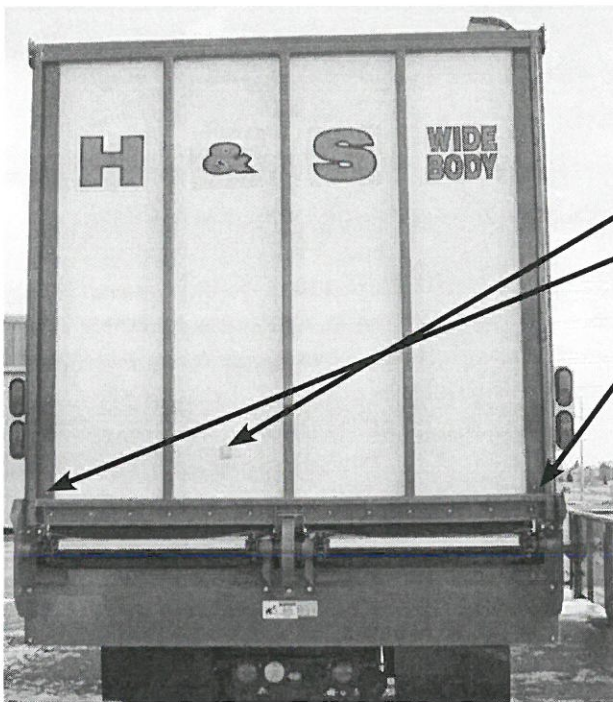
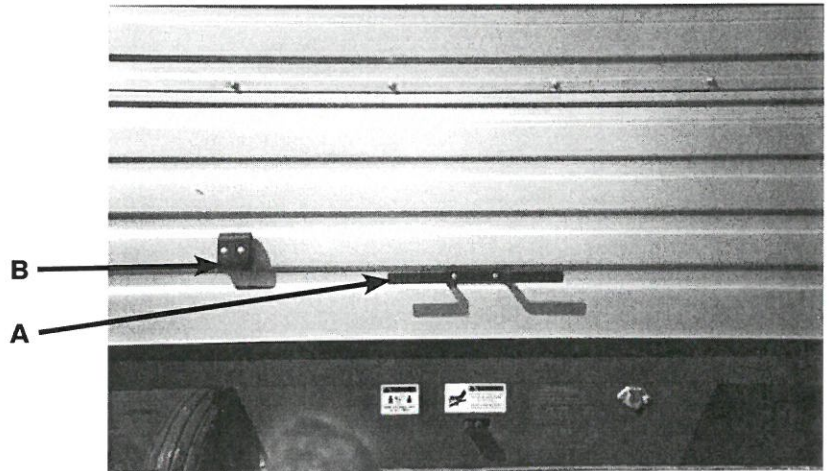
Study The Above Safety Rules

ATTENTION - BE ALERT - YOUR SAFETY IS INVOLVED

BEFORE OPERATION

Check entire unit carefully before first operation. Tighten bolts, set screws, and chains which might have come loose in handling. Check wheel bolts upon delivery, and periodically thereafter. Wheel bolt should be tightened to 450 ft./lbs. of torque. This torque is needed for the hub to carry its' rated capacity (Chassis Mount). Check the tires, and inflate to the recommended pressures (Chassis and Wagon Mount). Lubricate as explained in the lubrication guide. Fasten the hitch to the draw bar **with a hitch pin that can not bounce out!** Use a 1-1/4" diameter hitch pin to pull the unit (Chassis Mount). Run the unloading mechanism for several minutes. This will serve as a break-in and as a check that all parts are assembled and lubricated properly. Successful operation will be achieved by periodic adjustments and experience of the operator. Make sure to read and understand the main feeder apron adjustments.

Located on the front of the Wide Body Box is a convenient hanger (Item A) for the hydraulic hoses. When the Wide Body Box is not being unloaded, hoses should be securely wrapped around this holder, with ends inserted into Block Holder (Item B). (Running Gear and Chassis Mount Only).



Mounting Socket For SMV Emblem (A)

Red Reflective Tape (B)

WHEN TRANSPORTING ON THE HIGHWAY OR ROADS, PLACE SMV SIGN IN SOCKET PROVIDED AND REGULARLY CLEAN THE REFLECTIVE TAPE AT THE REAR OF THE POWER BOX.

NOTE: Obey all state and local laws, concerning towed equipment, on public roads.

For light information (See Page 15).

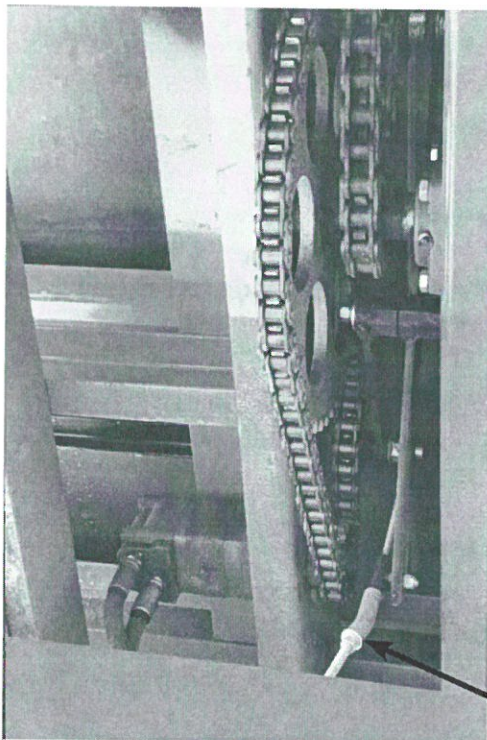
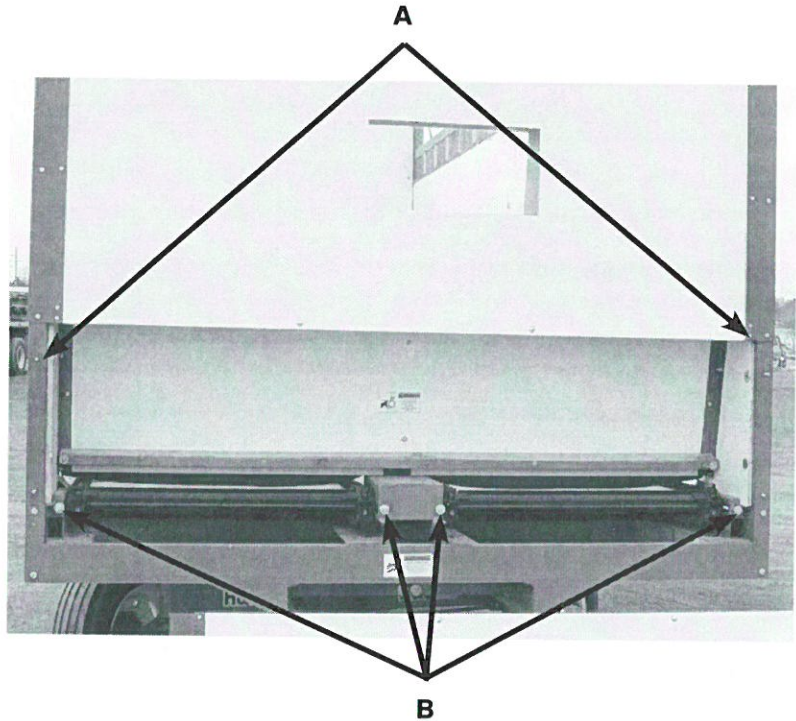
MAIN FEEDER APRON ADJUSTMENT

Main feeder apron adjustment bolts are located behind the convenient access door located in the bottom portion of front gate. Remove handle nuts (A) to open access panel and swing door downward (Chassis or Running Gear Mount Only). On truck mount, remove 4 handle nuts and remove access panel.

All apron chains must be taken up evenly before you use the power box. Check again after the first few loads. The Main Feeder Aprons should be at proper tension at all times. The tightener bolts are spring loaded to help maintain proper tension on apron chains. Tighten the full threaded bolts (B) to adjust aprons. Aprons are properly adjusted when two Cross Slats, or about three feet of chain lift off the Chain Return Slides from the front of the box. Maintain this tension when operating the box.



(Shield Removed For Clarity)



PRIMARY & SECONDARY APRON DRIVE CHAINS

Check both chains regularly for wear. Tension on roller chains is maintained by a spring loaded tightener system. This is factory set and should not require adjustment.

TIGHTENER

LUBRICATION GUIDE

! WARNING



**DO NOT CLEAN
OR WORK ON THIS
MACHINE WITHOUT
FIRST DISENGAGING
POWER AND
SHUTTING OFF
ENGINE**

The operator should become familiar with all lubrication points and establish a systematic routine to insure complete and quick lubrication of the machine.

DRIVE CHAINS

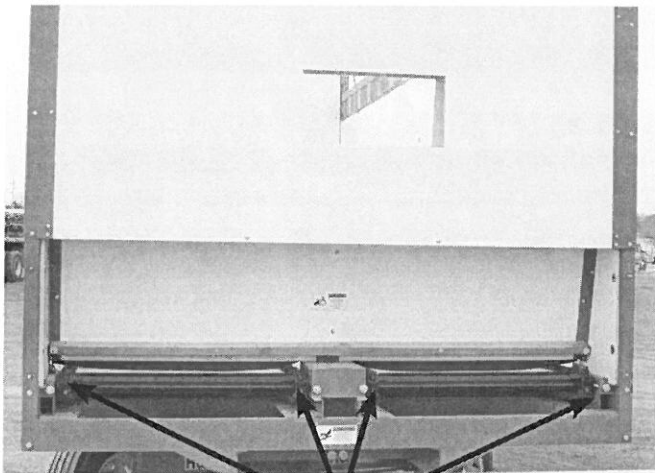
Lubricate the drive chains with a light machine oil. Keep chains aligned with sprockets. This will lengthen the life of the sprockets and chain. Lubricate chains often.

GREASE ZERKS

There are ten (10) grease fittings on your new H&S "WIDE BODY" REAR UNLOAD POWER BOX. Grease daily during normal use and before and after storage. Use a good grade of high quality grease.

Listed below is location and quantity of zerks.

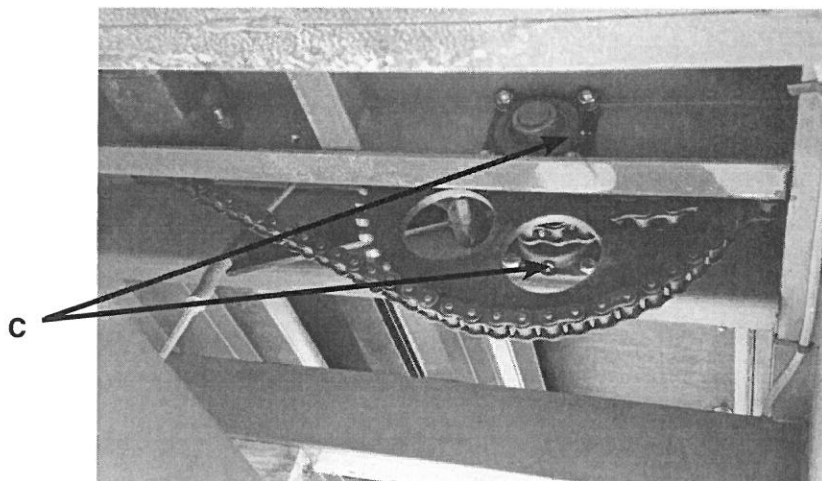
- A. (4) one on each main apron front idler sprocket.
- B. (4) one on left hand, two on center, and one on right hand rear main apron drive shaft brackets.
- C. (2) one on each bearing on reduction sprocket idler shaft.
- D. (2) one on each tandem pivot (chassis mount)



A (Shield Removed For Clarity)



B



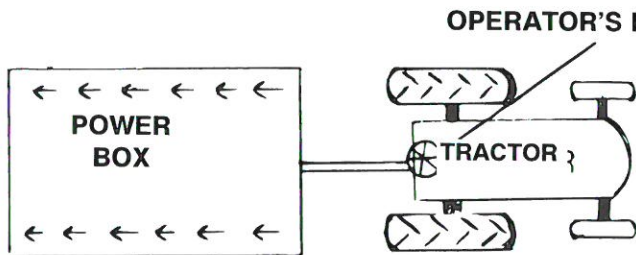
C

FIELD OPERATION OF "WIDE BODY" REAR UNLOAD POWER BOX

After you have idled your H&S "Wide Body" Rear Unload Power Box for several minutes, and checked it over thoroughly as suggested in earlier recommendations, and have properly adjusted and lubricated it, you are ready to place your Power Box into operation.

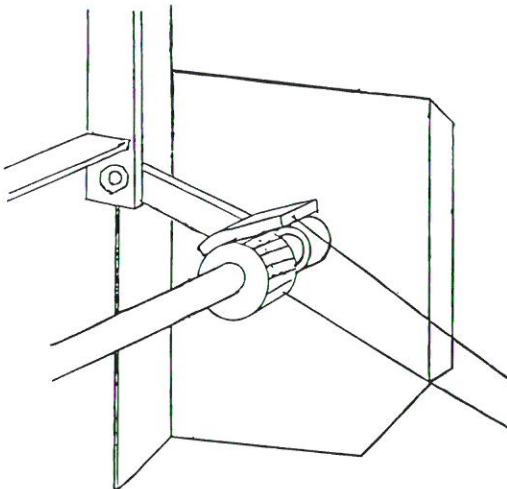
UNLOADING

1. Park Power Box on level ground whenever possible during unloading.
2. **Connect hydraulic hoses from Power Box to the tractor.**
3. With operator in the truck or tractor seat, and all others well clear of Power Box, engage the hydraulics.
NOTE: Rear unload operates in only one direction. **If tractor hydraulic system stalls, check for obstruction, reverse the lever on the tractor or switch the hydraulic hoses at the ports on the tractor. If stalling persists, the problem may be insufficient tractor hydraulic pressure.**



4. During unloading, move the Power Box forward to allow material to fall away from rear of box.
5. When box is empty, disengage hydraulics.
6. Check rear door to make sure it is securely latched.

NOTE: (*Italics between * refers to use on Chassis or Running Gear Mount Models Only*)

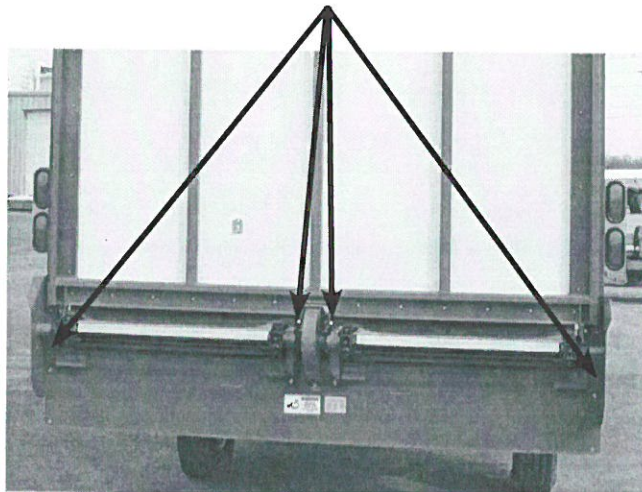


REAR DOOR LATCHES

Located at the bottom left, center, and right hand side of the rear door are the door latches. These latches lock against knurled gears on rear drive shaft to hold door closed when loading Rear Unload Power Box. When hydraulics are activated and rear drive shaft turns, knurled gears flip latches open to allow rear door to swing free. Upon completion of unloading check rear door to insure that door latches are securely in place for next load.

DOOR LATCHES

KNURLED GEARS



DECAL LOCATION

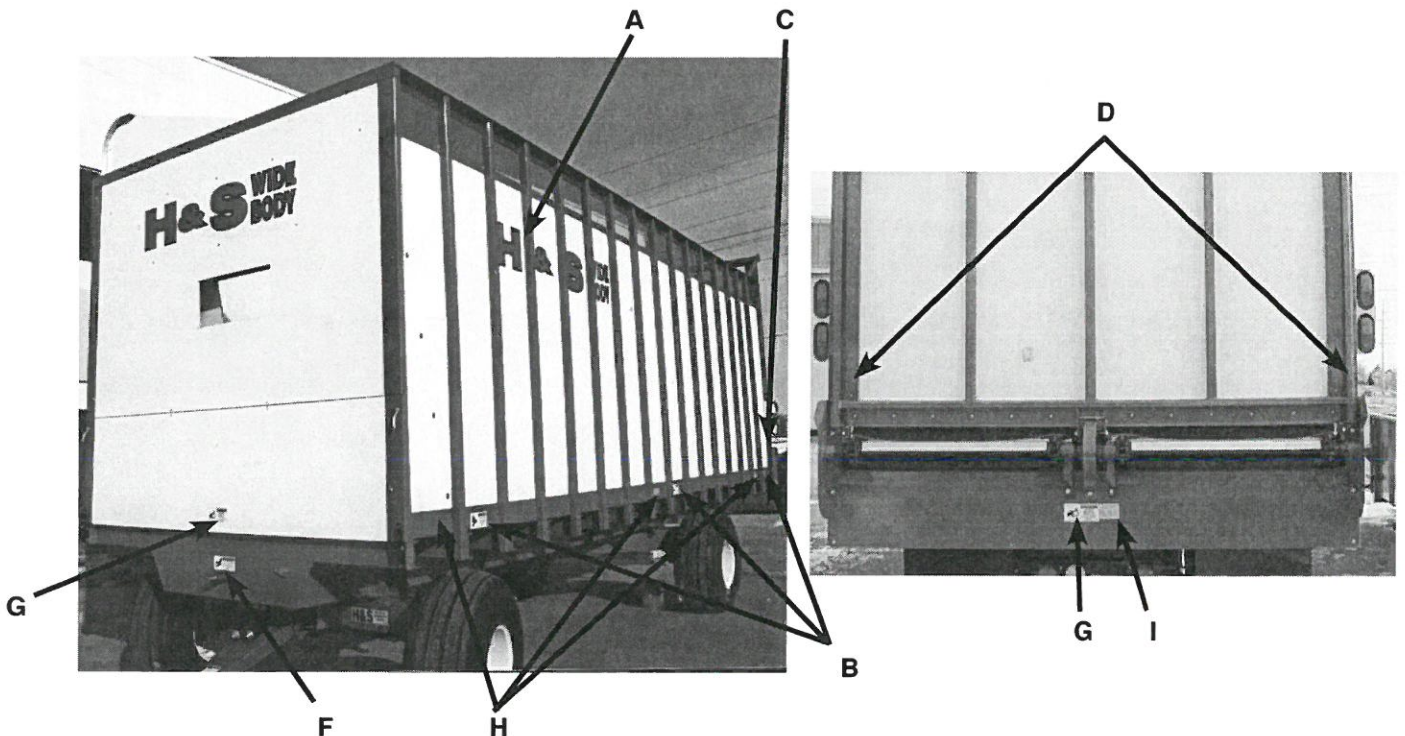
Your H&S "Wide Body" Rear Unload Power Box was manufactured with operator safety in mind. Located on the Power Box are various decals to aid in operation, and warn of danger or caution areas. Pay close attention to all the decals on your Power Box.



DO NOT REMOVE ANY OF THESE DECALS. IF DECALS ARE LOST, DAMAGED, OR IF THE POWER BOX IS REPAINTED, REPLACE DECALS. REMEMBER: DECALS ARE FOR YOUR PROTECTION AND INFORMATION.

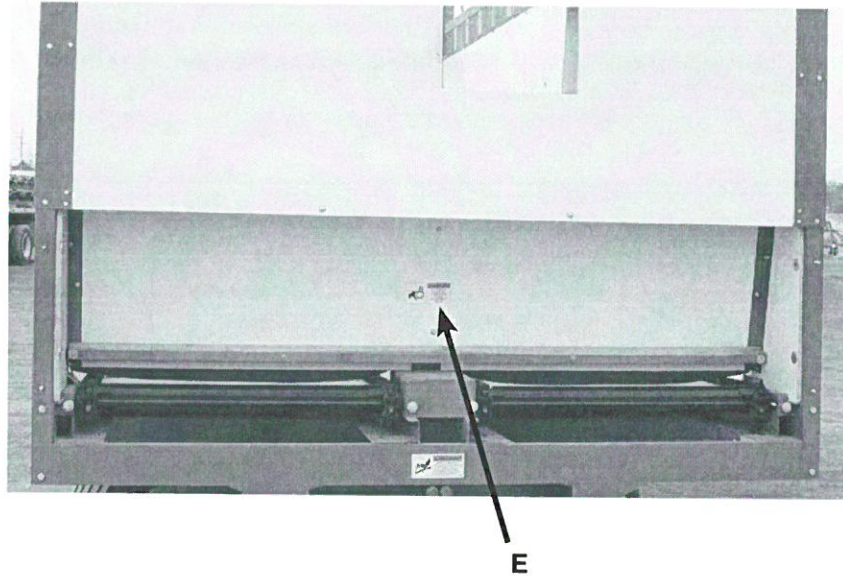
Listed below are the decals on your "Wide Body" Rear Unload Power Box. These decals may be ordered individually by part number or by ordering complete set.

ITEM	PART NO.	DESCRIPTION
A		(3 Sets) H&S Wide Body (12"x12" Individual Metal Signs)
B	1494C	(6) Warning - Moving Parts Under
C		Model/Serial Number
D		(2) Red Reflector Decal
E	1494A	Warning - Do Not Operate (Page 14)
F	11599	Warning - Hydraulic Leaks
G	1494B	(2) Warning - Do Not Remove Shields
H		(6) Amber Reflector Decal
I	1787-I	Patent Pending
	41699-PB-WB	Complete Set of Decals
Paint - H&S Red	ZX21	Gallon
	ZX22	Quart
	ZX23	Pint



(Continued on Page 14)

DECAL LOCATION (Continued)



INSTRUCTIONS FOR ORDERING PARTS

All service parts should be ordered through your authorized H&S Dealer. He will be able to give you faster service if you will provide him with the following:

1. Model & Serial Number – Both are located on the left hand rear upright.
2. All reference to left or right apply to the machine as viewed from the rear.
3. Parts should not be ordered from illustration only. Please order by complete parts numbers.
4. If your dealer has to order parts - give shipping instructions:
VIA truck - large pieces (please specify local truck lines)
VIA United Parcel Service (include full address)

H&S MFG. CO. INC.	
MARSHFIELD, WIS.	
MOD. NO.	<input type="text"/>
SER. NO.	<input type="text"/>
DESCR.	<input type="text"/>

PLEASE RECORD NUMBERS FOR YOUR UNIT FOR QUICK REFERENCE

ABOUT IMPROVEMENTS

H&S MFG. CO. IS CONTINUALLY STRIVING TO IMPROVE ITS' PRODUCTS.

We must therefore, reserve the right to make improvements or changes whenever it becomes practical to do so, without incurring any obligation to make changes or additions to the equipment previously sold.

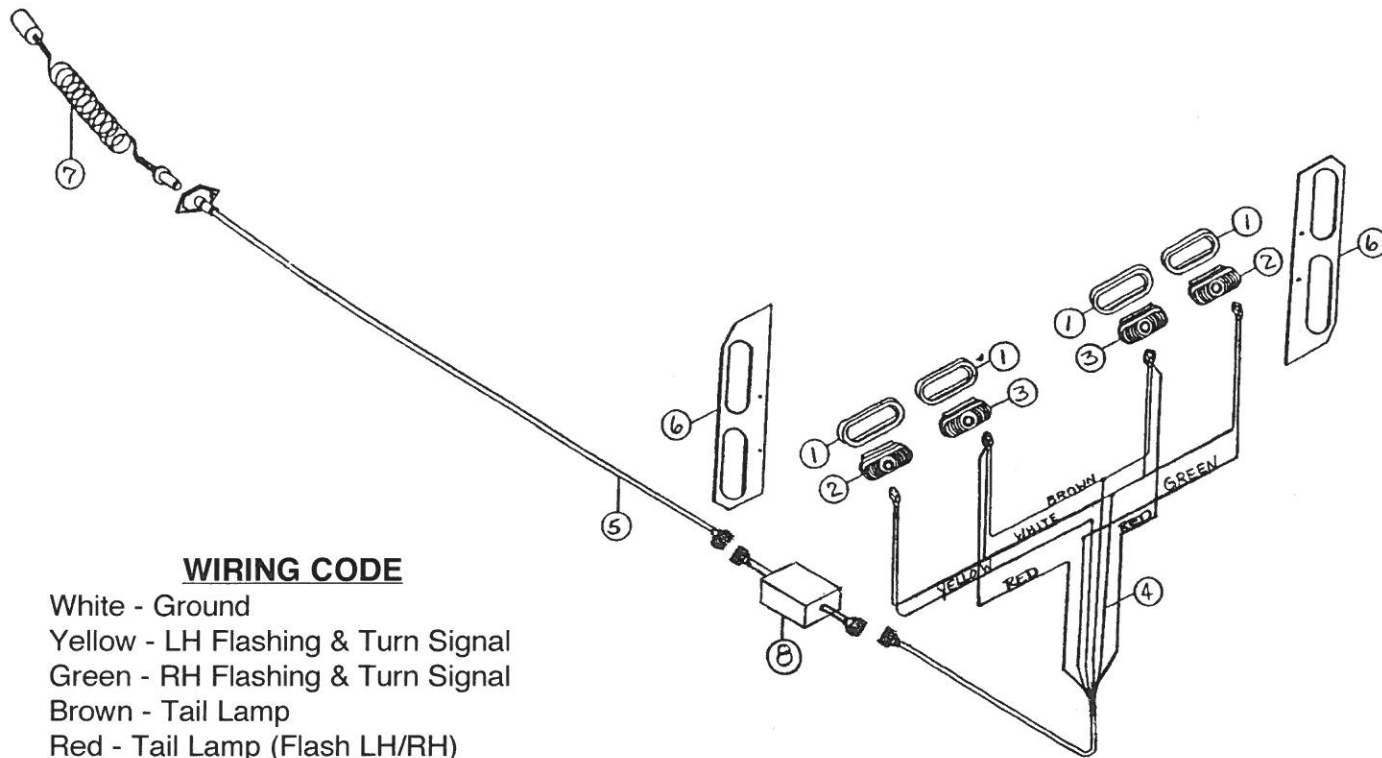


FIGURE 1
“INDUSTRIAL WIDE BODY” REAR UNLOAD POWER BOX
LIGHTING ASSEMBLY (Wagon and Chassis Mount)

ITEM	PART NO.	DESCRIPTION
1.	S308	Rubber Light Mount
2.	S309	Amber Light
3.	S310	Red Light
4.	PB232	Light Harness (6-WIRE)
5.	S443	18' Longitudinal Cord (4-WIRE)
	S442	20' Longitudinal Cord (4-WIRE)
*	S439	22' Longitudinal Cord (4-WIRE)
*	S444	24' Longitudinal Cord (4-WIRE)
6.	PB111	Taillight Brackets
7.	S317	Optional Tractor Cord
8.	S441	Light Module
*	PB237	18' Complete Light Assembly Less Optional Tractor Cord
*	PB238	20' Complete Light Assembly Less Optional Tractor Cord
*	PB247	22' Complete Light Assembly Less Optional Tractor Cord
*	PB248	24' Complete Light Assembly Less Optional Tractor Cord

NOTE: * (Means Not Shown)

FIGURE 2

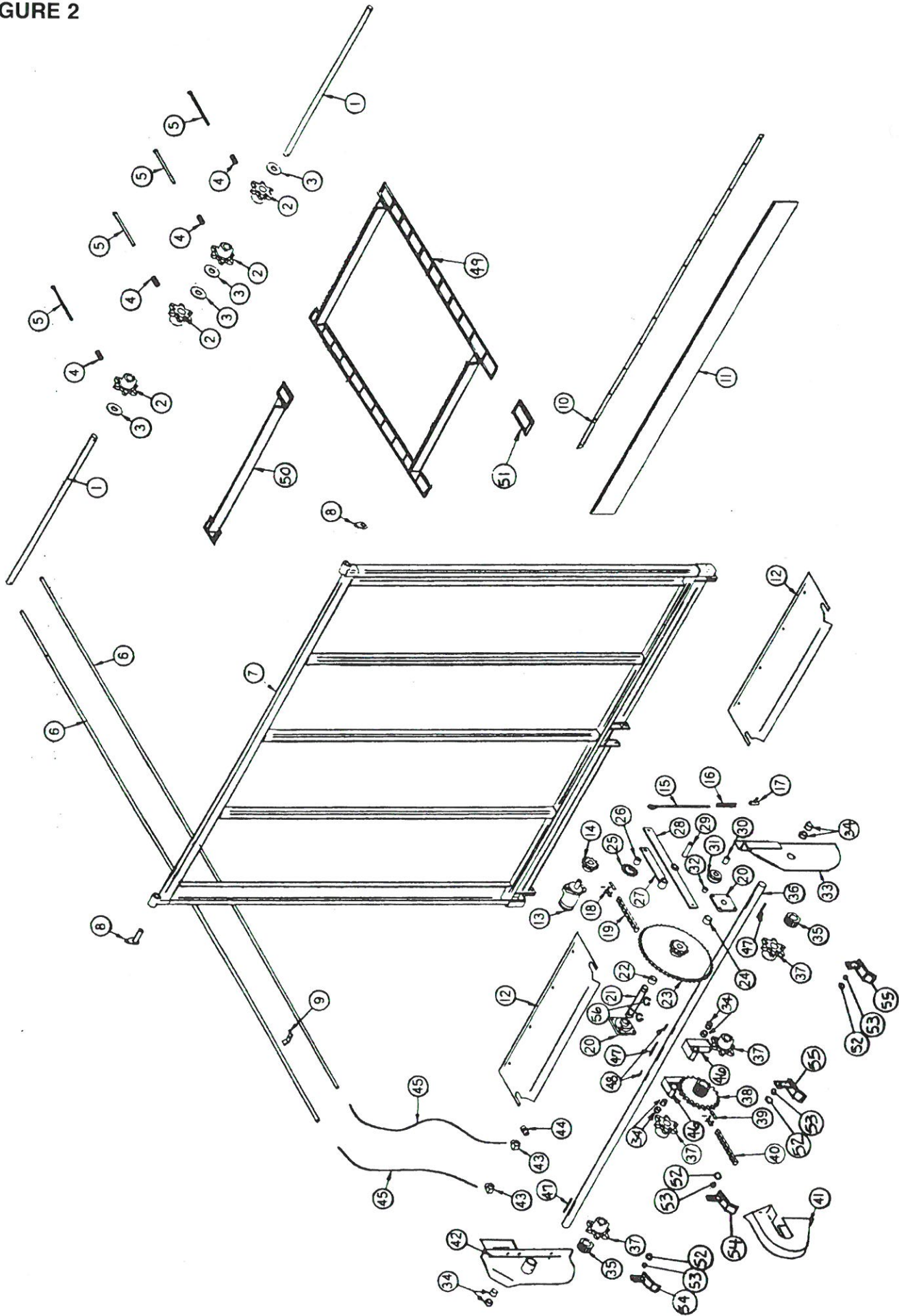
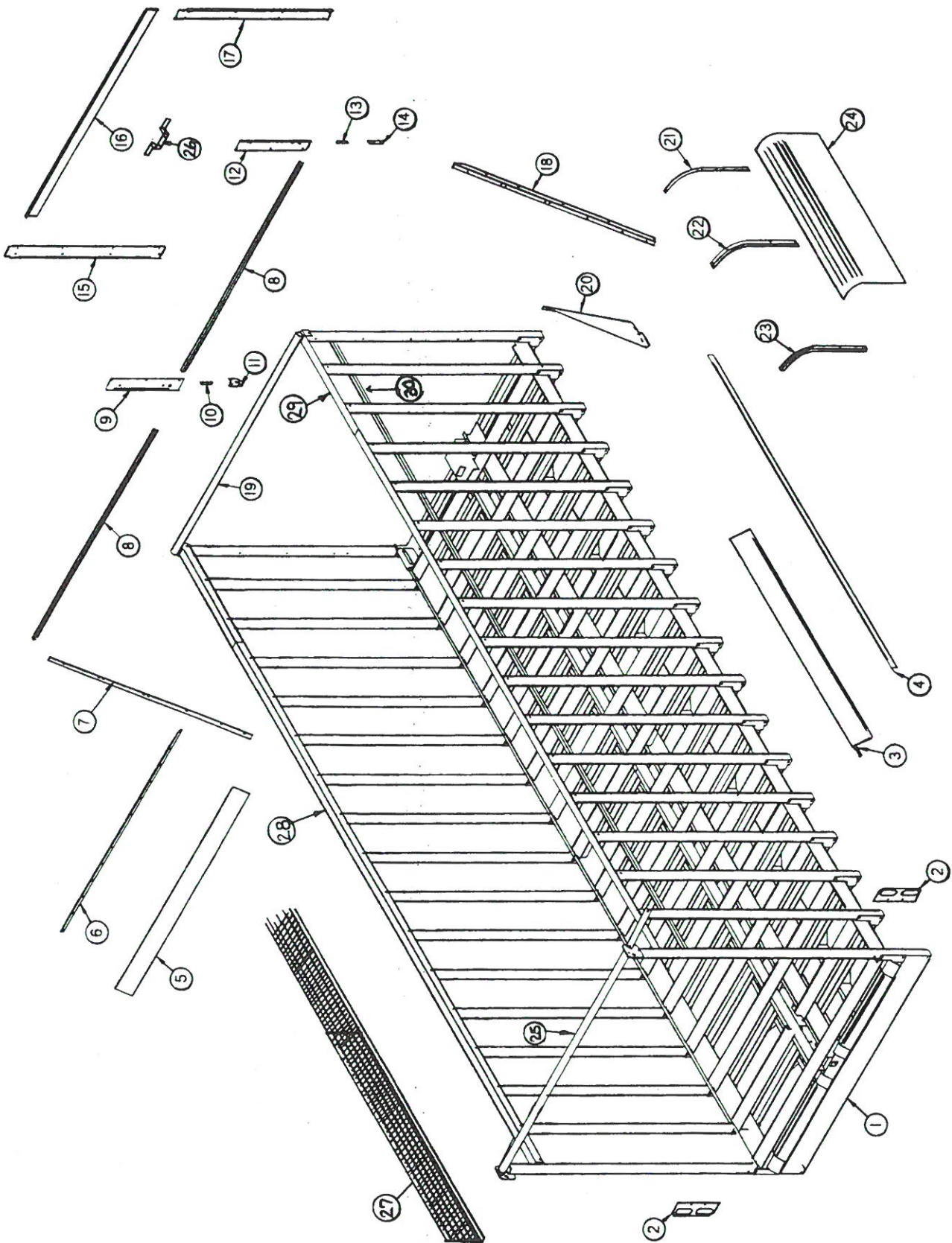


FIGURE 2
DOOR-APRON-DRIVE & IDLER ASSEMBLY

ITEM	PART NO. POLY BONDED SIDES		PART NO. ALUMINIZED SIDES			DESCRIPTION
	22'	24'	18'	20'	22'	
1.	S63	"	"	"	"	Idler Shaft
2.	S60	"	"	"	"	Idler sprocket
3.	S61	"	"	"	"	Idler shaft spacer
4.	WM210	"	"	"	"	Spring-Red
5.	S7	"	"	"	"	Idler Bolt 1/2 x 9-1/2"
6.	PB173	IFB1	IFB62	PB220	PB173	Hydraulic Pipe
7.	IFB2	"	"	"	"	Back Door Frame Work
8.	IFB3	"	"	"	"	Door Hinge Pin
9.	23N67	"	"	"	"	Pipe Clamp
10.	PB155	"	"	"	"	Seal Strap
11.	PB154	"	"	"	"	Rubber Seal
12.	PB74	"	"	"	"	Drive Shaft Panel
13.	16SV150	"	"	"	"	Hydraulic Motor
14.	IFB4	"	IFB4	"	IFB4	Motor Sprocket 10Tooth #80
15.	IFB5	"	"	"	"	Tightener Rod
16.	23N211	"	"	"	"	Spring
17.	23N206	"	"	"	"	Tightener Rod Holder
18.	F157	"	D39	"	F157	Connector Link
19.	16SV330	"	16SV330	"	16SV330	Chain #80 68 Pitch
20.	45N67	"	"	"	"	Bearing W/Holder
21.	IFB136	"	"	"	"	Short Idler Shaft
22.	R17	"	"	"	"	Short Idler Spacer
23.	IFB148	"	"	"	"	Short Idler Sprocket 52/8 Tooth #80/100
24.	R57	"	"	"	"	Spacer
25.	12V77	"	12V77	"	12V77	Sprocket
26.	IFB9	"	"	"	"	Primary Drive Spacer
27.	IFB10	"	"	"	"	Short Tightener
28.	IFB11	"	"	"	"	Long Tightener
29.	IFB12	"	"	"	"	Tightener Axle Pivot
30.	IFB13	"	"	"	"	Poly Chain Tightener Axle
31.	IFB14	"	"	"	"	Chain Tightener Roller
32.	IFB23	"	"	"	"	Spacer
33.	IFB15	"	"	"	"	RH Drive Shaft Mount
34.	S50	"	"	"	"	Bushing
35.	PB175	"	"	"	"	Latch Sprocket
36.	PB167	"	"	"	"	Drive Shaft
37.	S37	"	"	"	"	Drive Shaft Sprockets
38.	IFB16	"	IFB16	"	IFB16	Center Drive Shaft Sprocket 22 Tooth #100
39.	IFB159	"	"	"	"	Connector Link #100 (Heavy)
40.	IFB129	"	IFB129	"	IFB129	Chain #100 x 47 Pitch (Heavy)
41.	IFB19	"	"	"	"	Center Drive Shield
42.	IFB20	"	"	"	"	LH Drive Shaft Mount
43.	IFB21	"	"	"	"	Elbow-90 Degrees
44.	•PB185	"	"	"	"	Check Valve
45.	16SV144	"	"	"	"	Hose 1/2" x 41"
46.	PB183	"	"	"	"	Center Bearing Bracket
47.	PB133	"	"	"	"	Key (3) 3/8" SQ. x 4-3/8"
48.	PB87	"	"	"	"	Key (2) 3/8" SQ. x 2"
49.	—	—	S59	PB179	—	Complete T-Rod Apron
* 50.	PB165	IFB22	PB180	PB178	PB165	Complete 667XH Apron
* 50.	—	—	S54	"	—	T-Rod Slat W/Att. Link
* 51.	PB177	"	—	PB177	"	667XH Pintle Slat W/Att. Link
* 51.	—	—	S55	"	"	T-Rod Link
* 51.	PB181	"	"	"	"	66XH Pintle Connector Link
* 51.	PB182	"	"	"	"	667XH Pintle Att. Link LH or RH
52.	A34	"	"	"	"	Latch Washer
53.	PB61	"	"	"	"	Latch Pivot
54.	PB58	"	"	"	"	Latch Bracket LH
55.	PB57	"	"	"	"	Latch Bracket RH
* 56.	—	—	PB161	"	"	Back Door Aluminized Panels
56.	F73	"	"	"	"	Snap Ring
* 56.	IFB61	"	—	—	—	Back Door Poly Bonded Panels (2)

NOTE: * (Means Not Shown)
 • (Indicates Use on Chassis or Running Gear Models Only)
 " (Same as Part # to Left)
 — (Part is Not Used on This Model)

FIGURE 3



**FIGURE 3
BOX ASSEMBLY**

ITEM	PART NO. POLY BONDED SIDES		PART NO. ALUMINIZED SIDES			DESCRIPTION
	22'	24'	18'	20'	22'	
	1.	IFB25	IFB26	IFB128	IFB24	
2.	PB111	"	"	"	"	Light Bracket
3.	PB146	"	"	"	"	Center Floor Ridge
*	IFB149	"	"	"	"	Back Center Floor Ridge
*	IFB150	"	"	"	"	Front Center Floor Ridge
4.	IFB27	"	"	"	"	Filler Corner
5.	PB154	"	"	"	"	Front Rubber
6.	PB155	"	"	"	"	Rubber Holdown
7.	IFB28	"	"	"	"	Angle Bracket LH
8.	IFB29	"	"	"	"	Panel Angle
9.	IFB30	"	IFB45	"	"	Front Door Bottom Left
10.	S199	"	"	"	"	Door Hinge LH
11.	S198	"	"	"	"	LH Stake Hinge
12.	IFB31	"	IFB46	"	"	Front Door Bottom Right
13.	S193	"	"	"	"	Door Hinge RH
14.	S194	"	"	"	"	RH Stake Hinge
15.	IFB43	"	IFB32	"	"	Top Front Panel LH
16.	IFB33	"	IFB88	"	"	Top Front Door Panel
17.	IFB44	"	IFB34	"	"	Top Front Panel RH
18.	IFB35	"	"	"	"	Angle Bracket RH
19.	IFB36	"	"	"	"	Cross Front Brace
20.	IFB37	"	"	"	"	Inside Deflector B
21.	IFB38	"	"	"	"	Left Hood Support-Option
22.	IFB39	"	"	"	"	Center Hood Support-Option
23.	IFB40	"	"	"	"	Right Hood Support-Option
24.	IFB41	"	"	"	"	Roof Hood-Option
25.	IFB42	"	"	"	"	Top Rear Brace
26.	•PB29	"	"	"	"	Hose Holder
27.	IFB47	IFB84	IFB85	IFB86	IFB47	Expanded Metal Screen LH
*	IFB111	IFB112	IFB113	IFB114	IFB111	Expanded Metal Screen RH
28.	IFB65	IFB67	IFB69	IFB63	IFB65	LH Top Rail
29.	IFB66	IFB68	IFB70	IFB64	IFB66	RH Top Rail
30.	IFB115	IFB116	IFB117	IFB118	IFB115	RH Top Angle
*	IFB119	IFB120	IFB121	IFB122	IFB119	LH Top Angle
*	IFB152	IFB153	—	—	—	FRP Side Panel (1/side)
*	IFB154	"	—	—	—	FRP Front Top Panel (1)
*	IFB155	"	—	—	—	FRP Front Tailgate Panel (1)
*	IFB156	"	"	"	"	FRP Inside Shelf Panel (1)
*	—	—	S150	S299PB	—	Aluminized Side Panels Top
*	—	—	IFB75	IFB76	—	Aluminized Side Panels Bottom
*	—	—	—	—	IFB157	Aluminized Side Panel Top
*	—	—	—	—	IFB158	Aluminized Side Panel Bottom
*	—	—	PB151	"	"	Aluminized Front Panels Top
*	—	—	PB150	"	"	Aluminized Front Panels Bottom
*	—	—	PB152	"	"	Aluminized Front Tailgate Panel
*	PB145	IFB83	IFB81	IFB82	PB145	Poly Bonded Floor Panels
*	CHM38	"	"	"	"	Plug Storage
*	S522	"	"	"	"	Manual Holder

NOTE: * (Means Not Shown)

• (Indicates Use on Chassis or Running Gear Models Only)

" (Same as Part # to Left)

— (Part is Not Used on This Model)

FIGURE 4

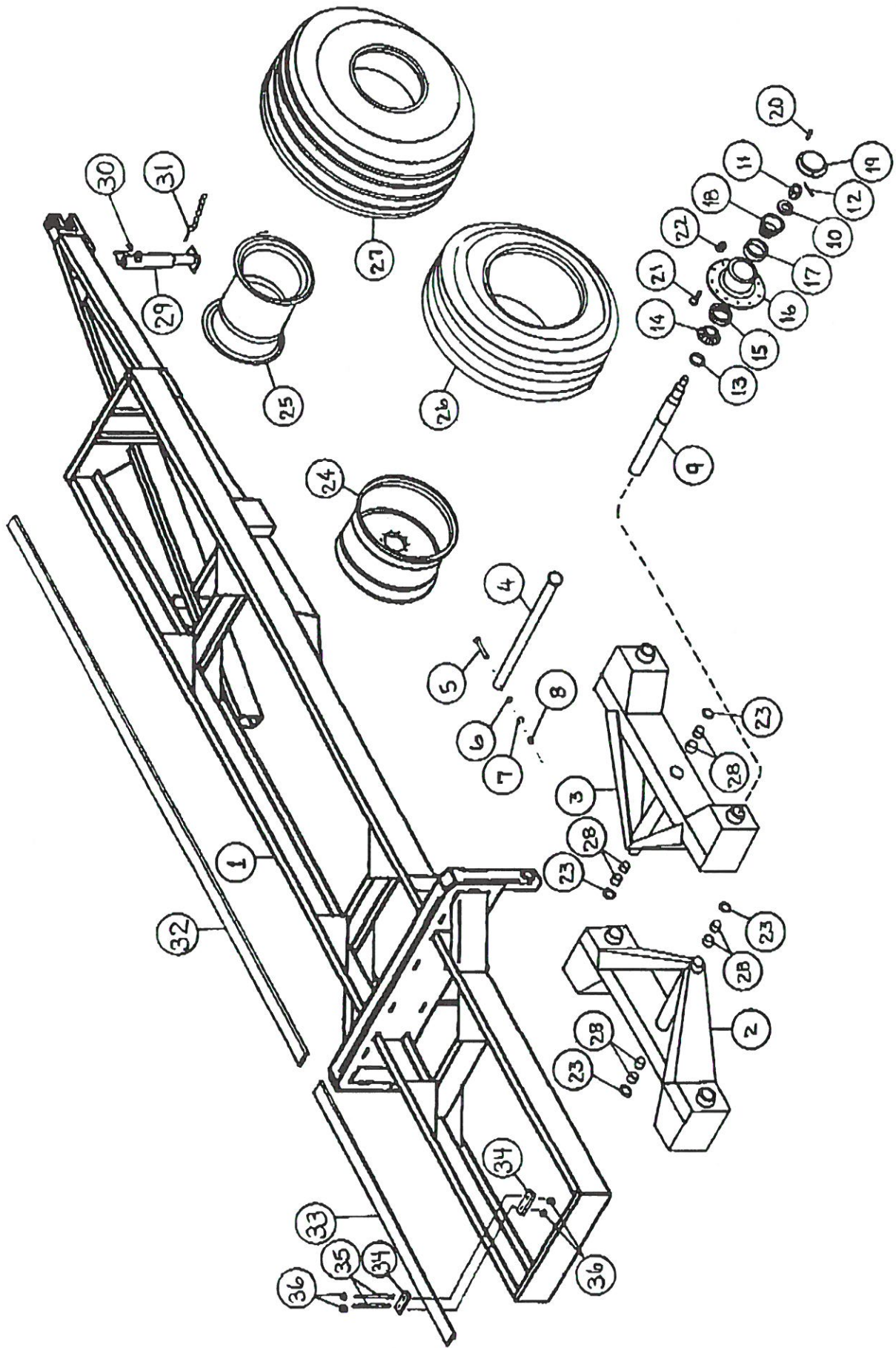
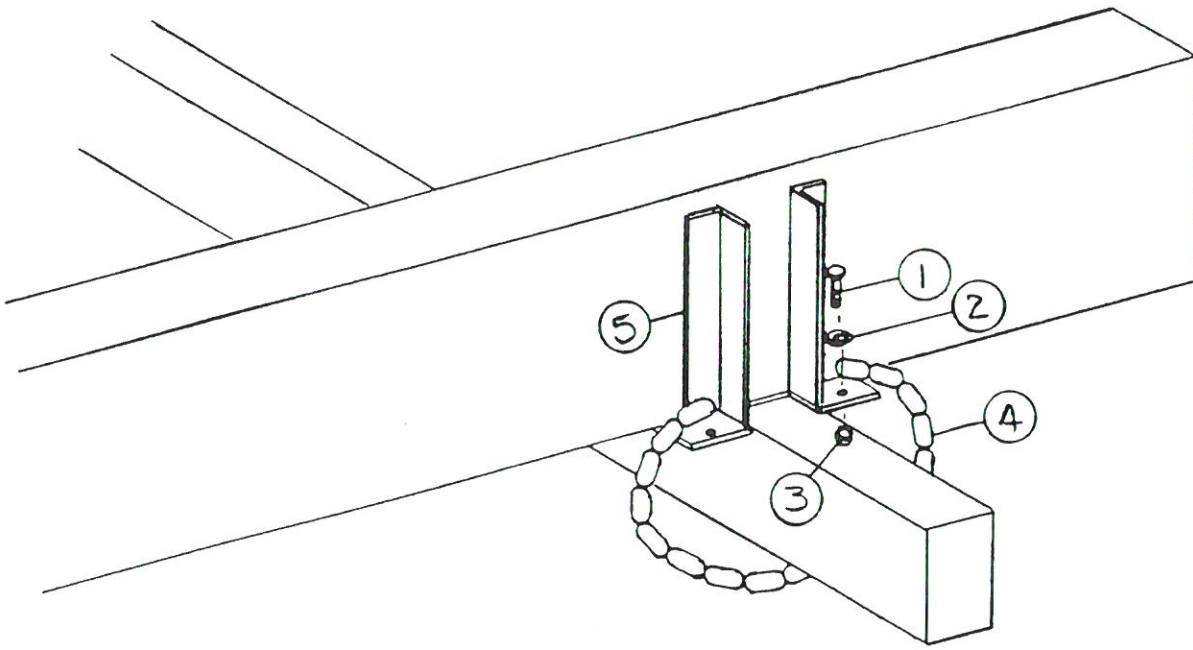


FIGURE 4
CHASSIS MOUNT FRAME

ITEM	PART NO.		DESCRIPTION
	FBC	SFBC	
1.	FBC1	SFBC1	Main Frame
2.	50N151	"	LH Tandem Beam
3.	50N152	"	RH Tandem Beam
4.	50N153	"	Tandem Pin
5.	RG174	"	Bolt 5/8" x 5" GR.5
6.	RG8	"	5/8" Flat Washer
7.	T69	"	5/8" Lock Washer
8.	T68	"	5/8" Nut
9.	60N1	50N5	Spindle
10.	60N2	33SV95	Spindle Washer
11.	60N3	RG17	Spindle Nut
12.	60N4	33SV46	Cotter Pin
13.	60N5	33SV42	Seal
14.	60N7	33SV43	Inner Bearing
15.	60N6	33SV44	Inner Race
16.	60N8	33SV45	Hub
17.	60N10	RG169	Outer Race
18.	60N9	RG170	Outer Bearing
19.	60N11	RG171	Hub Cap
20.	60N12	—	Hub Cap Bolt
21.	60N13	33SV41	Stud
22.	60N14	RG72	Stud Nut
23.	RG59	"	Spacer
24.	60N15	—	Wheel (22.5 x 13.5, 10 Bolt)
*	—	16SV89	Wheel (22.5 x 13.5, 8 Bolt)
25.	60N16	—	Wheel (16.1 x 18, 10 Bolt)
*	—	50N6	Wheel (16.1 x 18, 8 Bolt)
26.	16SV88	"	Tire (425 x 22.5, Truck)
27.	50N7	"	Tire (21.51 x 16.1, Flotation)
28.	50N8	"	Tandem Pin Bushing
29.	FBC2	"	Jack 7000# Complete
30.	FBC7	"	Jack Handle
31.	FBC8	"	Jack Pin and Chain
32.	FBC3	SFBC2	Front Wood Chassis Spacer
33.	FBC4	SFBC3	Rear Wood Chassis Spacer
34.	FBC5	"	Tie Down Plate
35.	FBC6	"	Tie Down Bolts
36.	T23	"	3/4"-16 NF Nylon Lock Nuts

NOTE: * (Means Not Shown)
 " (Means Same as Preceding Number)
 — (Means Not Used on This Model)

FBC - 22 Ton Chassis
 SFBC - 16 Ton Chassis



**FIGURE 5
TIE DOWN KIT - RUNNING GEAR MOUNT**

ITEM	PART NO.	DESCRIPTION
1.	12V45	1/2" x 1-1/2" GR.5 Bolt
2.	K68	1/2" Flat Washer
3.	R11	1/2" Top Lock Nut GR.5
4.	S322	1/4" Chain 30-1/4" Long
5.	S323	Tie Down Bracket
6.	T9B	Tie Down Kit - Complete

FIGURE 6

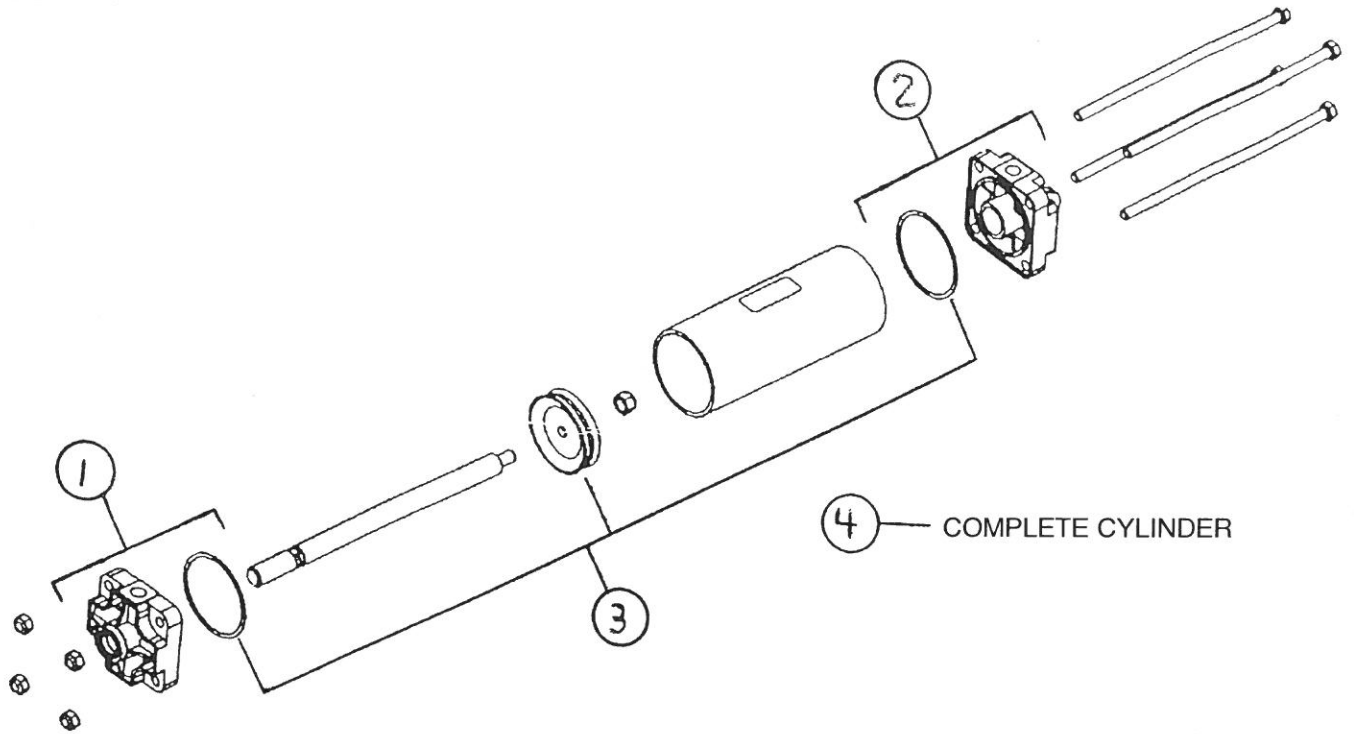


FIGURE 6
BARN DOOR 2-1/2" X 8" AIR CYLINDER

ITEM	PART NO.	DESCRIPTION
1.	GD46	Rod Cap
2.	GD47	Base Cap
3.	GD48	Seal Kit
4.	GD49	Complete Cylinder (2-1/2" x 8")

FIGURE 7

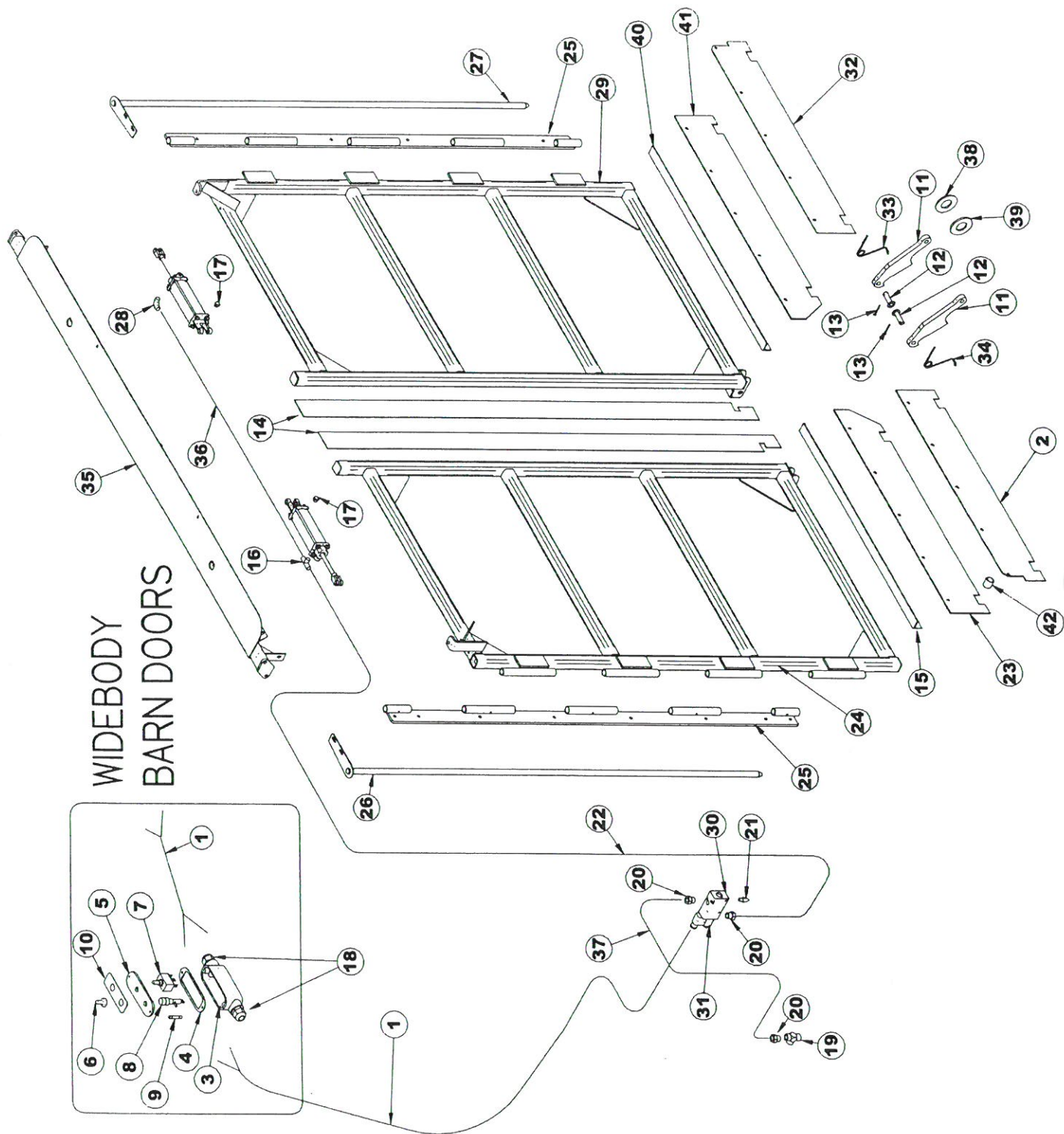
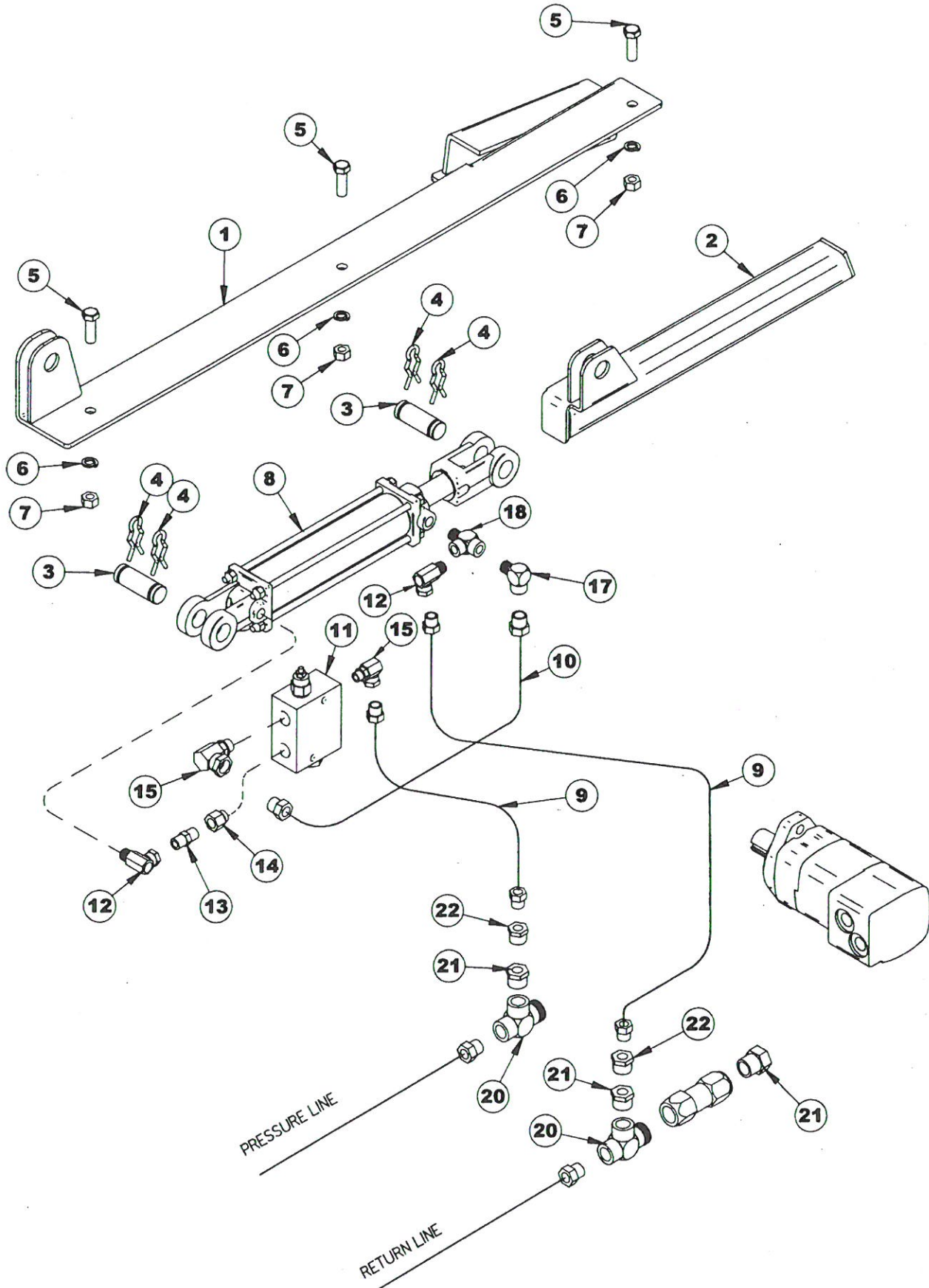


FIGURE 7
WIDE BODY BARN DOORS

ITEM	PART NO.	DESCRIPTION
1.	GD13	10' 2-Wire Cable
2.	GD19	Left Door Seal
3.	16SV316	Control Box
4.	16SV317	Control Box Gasket
5.	16SV318	Control Box Cover
6.	16SV235	Switch Boot
7.	WM109	2 Position Momentary Switch
8.	16SV231	Fuse Holder
9.	16SV232	5 Amp Fuse
10.	GD20	Decal
*	GD42	Complete Control Box
11.	GD21	Latch
12.	GD22	Latch Pin
13.	33SV46	7/32" x 2" Cotter Pin
14.	GD24	Mid Door Seal
15.	GD25	Left Seal Angle
16.	GD26	1/4" Air Tee
17.	GD8	1/4" Vent Plug
18.	GD23	Strain Relief (Connector)
19.	GD43	1/4" Female Tee
20.	GD6	1/4" Male Coupler
21.	GD7	1/4" Vent Plug (Cone Shaped)
22.	GD10	1/4" D.O.T. Air Tubing (50')
23.	GD9	Left Double Seal
24.	GD28	Left Door Frame
*	GD41	Door Ply-Wood
25.	GD29	Hinge
26.	GD30	Left Hinge Pin
27.	GD31	Right Hinge Pin
28.	GD5	1/4" Male Elbow
29.	GD32	Right Door Frame
30.	GD16	3-Way Air Valve (Complete)
31.	GD17	Coil and Electrical Connector
*	GD18	Air Valve Spool and Seal Kit
32.	GD33	Right Door Seal
33.	GD34	Right Latch Spring
34.	GD35	Left Latch Spring
35.	GD36	Top Door Hood
36.	GD37	1/4" D.O.T. Air Tubing (15')
37.	GD38	1/4" D.O.T. Air Tubing (10')
38.	GD39	Thick Latch Washer
39.	GD40	Thin Latch Washer
40.	GD44	Right Seal Angle
41.	GD3	Right Double Seal
42.	GD45	Seal Spacer

NOTE: * (Means Not Shown)

FIGURE 8



**FIGURE 8
WIDE BODY GATE DELAY**

ITEM	PART NO.	DESCRIPTION
1.	GD1	Slide Channel
2.	GD2	Push Tube
3.	GD13	10' 2-Wire Cable
4.	GD5	1/4" Male Elbow
5.	GD6	1/4" Male Coupler
6.	GD43	1/4" Female Tee
7.	GD7	1/4" Vent Plug (Cone Shaped)
8.	GD8	1/4" Vent Plug
9.	GD23	Stain Relief (Connector)
10.	GD10	1/4" D.O.T. Air Tubing (50')
11.	T153	1/2" x 3" Grade 5 Bolt
12.	R10	1/2" x 1-1/4" Grade 5 Bolt
13.	GD11	1/2" x 1-1/4" Clevis Pin
14.	R35	1/2" Lock Washer
15.	R29	1/2" Nut
16.	K68	1/2" Flat Washer
17.	GD12	Cotter Pin
18.	16SV316	Control Box
19.	16SV317	Control Box Gasket
20.	16SV318	Control Box Cover
21.	16SV235	Switch Boot
22.	16SV233	2 Position On/Off Switch
23.	16SV231	Fuse Holder
24.	16SV232	5 Amp Fuse
25.	GD14	Decal
*	GD15	Complete Control Box
26.	GD16	3-Way Air Valve (Complete)
27.	GD17	Coil and Electrical Connector
*	GD18	Air Valve Spool and Seal Kit
28.	GD38	1/4" D.O.T. Air Tubing (10')

NOTE: * (Means Not Shown)

FIGURE 9

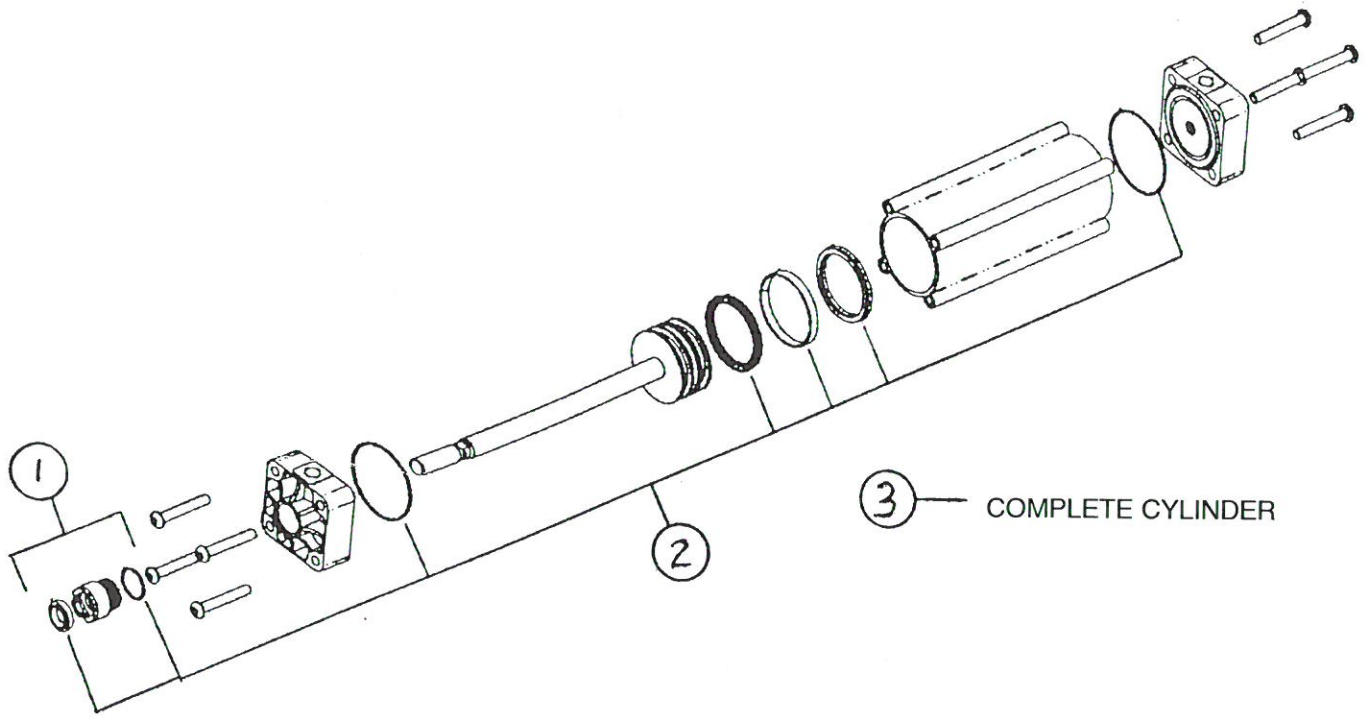


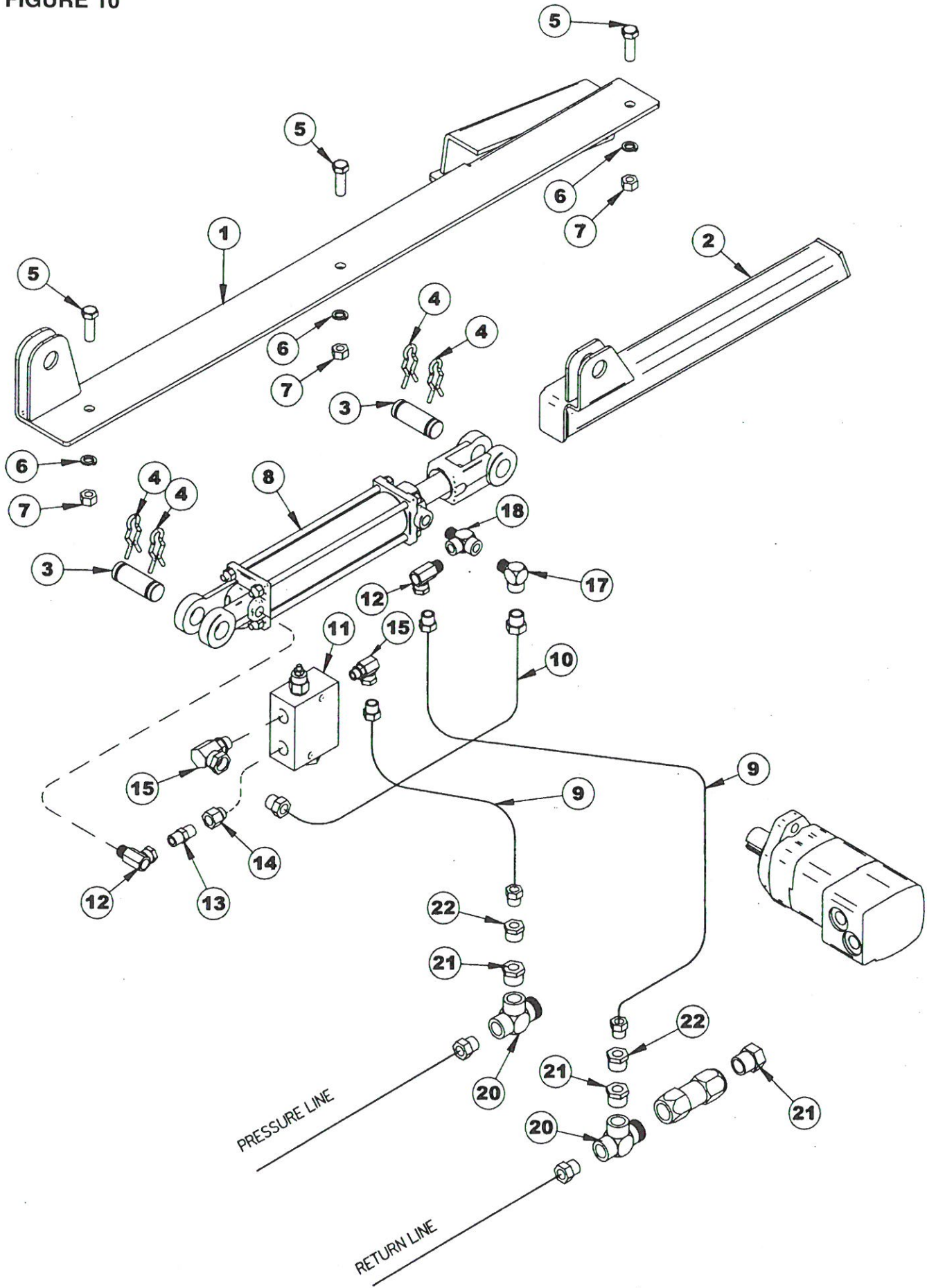
FIGURE 9
GATE DELAY 3-1/4" X 6" AIR CYLINDER

ITEM	PART NO.	DESCRIPTION
1.	GD50	Rod Kit
2.	GD51	Seal Kit
3.	GD52	Complete Cylinder (3-1/4" x 6")

- SERVICE NOTES -

Lined area for service notes with three binder holes on the left side.

FIGURE 10



**FIGURE 10
HYDRAULIC GATE DELAY**

ITEM	PART NO.	DESCRIPTION
1.	GD54	Hydraulic Slide Channel
2.	GD55	Hydraulic Push Tube
3.	T143	Cylinder Pin
4.	T144	Hair Pin
5.	R10	1/2" x 1-1/2" GR. 5 Bolt
6.	R35	1/2" Lock Washer
7.	R29	1/2" Nut
8.	BFR69A	2" x 8" Cylinder
9.	GD60	Hose 3/8" x 162" 3/8" MP & 3/8" MP
10.	DWM154	Hose 1/4" x 24" 3/8" MP & 3/8" MP
11.	GD56	Pressure Reducing Valve (PPDBLDN-E2I
12.	DWM110	3/8" 90° Swivel Adapter
13.	16SV351	3/8" Close Nipple
14.	GD57	9/16" Male O-Ring to 3/8" Pipe Adapter (6405-6-6)
15.	JB76	9/16" Male O-Ring to 3/8" Pipe 90° Swivel
17.	23N234	3/8" Street Elbow
18.	23N116	3/8" Street Tee
20.	33SV71	3/4" Service Tee
21.	LW99	1/2" to 3/4" Bushing
22.	JB82	1/2" to 3/8" Bushing

- SERVICE NOTES -

Lined area for service notes, consisting of 30 horizontal lines.



H&S INDUSTRIAL "WIDE BODY" REAR UNLOAD POWER BOX

Your new H&S "Wide Body" Power Box has been manufactured of the finest quality materials and components. The performance you get from your machine is largely dependent upon how well you read and understand this manual and apply this knowledge. There is a right and a wrong way to do everything. Please do not assume that you know how to operate and maintain your Power Box before reading this manual carefully. Keep this manual available for ready reference.

INDUSTRIAL "WIDE BODY" POWER BOX SPECIFICATIONS

Length	18' - 20' - 22' - 24'
Overall Width	104"
Inside Width	96"
Inside Height	86"
Overall Side Height w/5" Stringers	101-1/2"
Overall Height - Tailgate	116"
Number of Side Stakes (per side)	18' (13) - 20' (14) - 22' (15) - 24' (17)
Apron Chain	18' - 20' (T-Rod Std.) (667XH Pintle Option) - 22' - 24' (667XH-Pintle Std.)
Poly Floor	Standard
Rear Drive Shaft	1-3/4"
Hydraulic Capacity Needed	30 Gal. Per Min., 2500 lbs. Pressure

NOTE

Determine right or left side of unit by viewing it from the rear. If instructions or parts lists call for hardened bolts, they are identified with three lines or marks on the head.

H&S MANUFACTURING CO. INC.

2608 S. Hume Ave.
P.O. Box 768 - Telephone (715) 387-3414
FAX (715) 384-5463
MARSHFIELD, WI 54449



H&S WAREHOUSE Rt. #5 and 76
P.O. Box 1260 - Telephone (716) 736-7595
FAX (716) 736-7596
RIPLEY, NY 14775

H&S MFG. CO.

products approved

for the

FEMA

SEAL OF QUALITY

